

JUNCTION BOX

The RAKSHA Junction Box offers a reliable and long lasting protective cover to the electrical joints in the outdoor. The enclosure conforms to IP54 and is made of material to give rust proof, shock proof, termite resistant, and UV resistant properties. It does not call for any painting or maintenance in the normal course. It offers a firm cable anchoring and jointing to reduce the power losses at joint and consequential damages due to heat. The terminals are mounted in the enclosure on an SMC/Glass Epoxy mounting plate along with a series fuse.

Features



Direct pole mountable.

Outdoor mountable with IP54.

Universal lock and key arrangement.

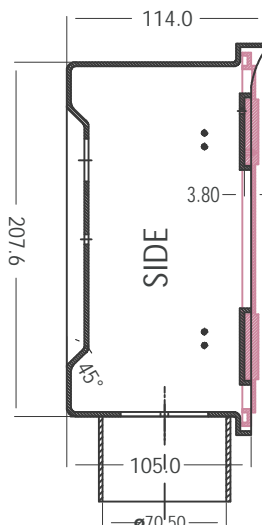
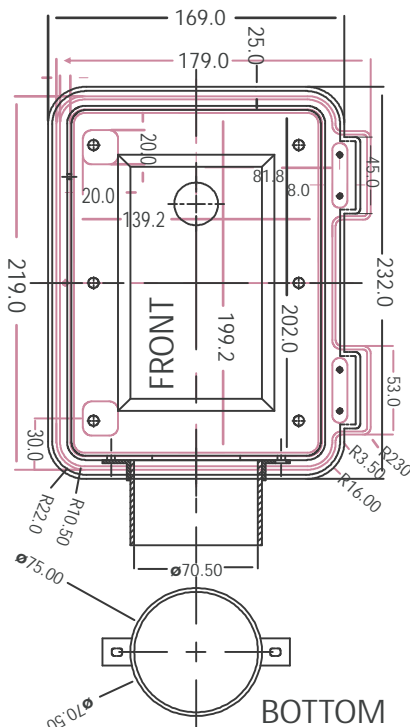
SMC enclosure for outdoor endurance.

Immunity to humidity and temperature variations.

Available for three and single Phase connections.

Lugs suitable for up to 25sq.mm cables.

Built in fuse arrangement.



"Specifications are subject to change with out advance notice"